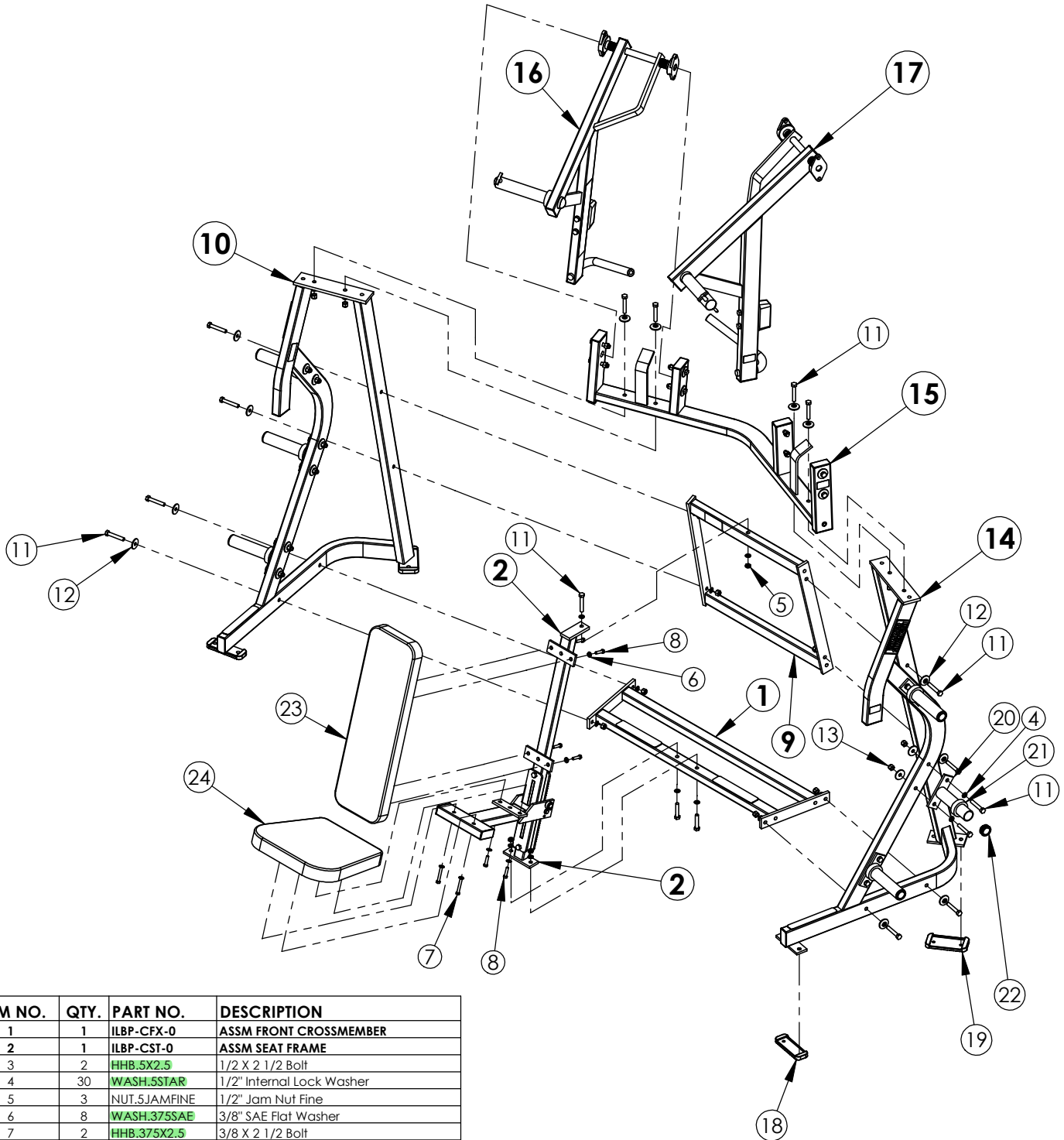


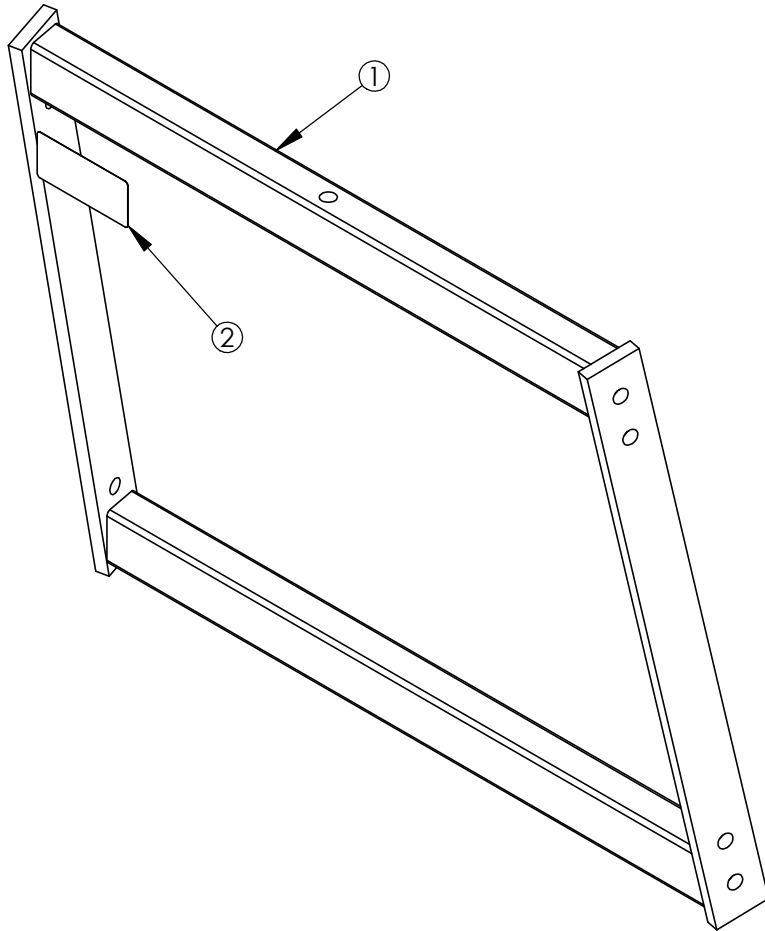
WEIGHT = 340 LB
LENGTH = 44"
WIDTH = 55"
HEIGHT = 70"

HAMMER STRENGTH EQUIPMENT ILBP-H EXPLODED ASSEMBLY



ITEM NO.	QTY.	PART NO.	DESCRIPTION
1	1	ILBP-CFX-0	ASSM FRONT CROSSMEMBER
2	1	ILBP-CST-0	ASSM SEAT FRAME
3	2	HHB.SX2.5	1/2 X 2 1/2 Bolt
4	30	WASH.5STAR	1/2" Internal Lock Washer
5	3	NUT.5JAMFINE	1/2" Jam Nut Fine
6	8	WASH.375SAE	3/8" SAE Flat Washer
7	2	HHB.375X2.5	3/8 X 2 1/2 Bolt
8	6	HHB.375X1.5	3/8 X 1 1/2 Bolt
9	1	ILBP-CBX-0	ASSM BACK CROSSMEMBER
10	1	ILBP-CSFR-1	ASSM RIGHT SIDE FRAME
11	25	HHB.SX3	1/2 X 3 Bolt
12	24	H-BACK-WASH	Backing Washer
13	24	NUT.SLOCK	1/2" Thick Lock Nut
14	1	ILBP-CSFL-1	ASSM LEFT SIDE FRAME
15	1	ILBP-CTX-0	ASSM TOP CROSSFRAME
16	1	ILBP-CMAR-2	ASSM RIGHT MOVEMENT ARM
17	1	ILBP-CMAL-2	ASSM MOVEMENT ARM LEFT
18	2	MM-8	Footpad, PS Rubber
19	2	MM-9	Footpad, PS Rubber
20	6	H-HORN	WEIGHT HORN
21	6	H-RUBRNG	MM5 Ring
22	6	H-RUBCAP2	PLUG, HAMMER WEIGHT HORN
23	1	U-33-19	Standard 33" Pad
24	1	U-16-11	Standard 16" Pad

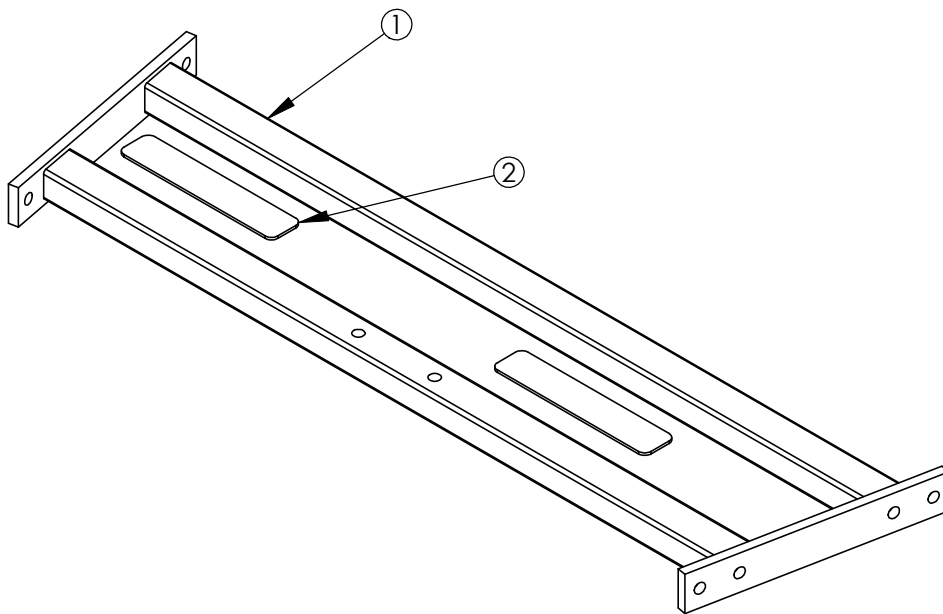
HAMMER STRENGTH EQUIPMENT
ILBP-H Back Frame Assembly



ITEM NO.	QTY.	PART NO.	DESCRIPTION
1	1	ILBP-BX-0	BACK CROSS MEMBER
2	1	8773701	Small Warning Hor.

WEIGHT = 24 LB
 LENGTH = 23 1/2"
 WIDTH = 28 1/4"
 HEIGHT = 2"

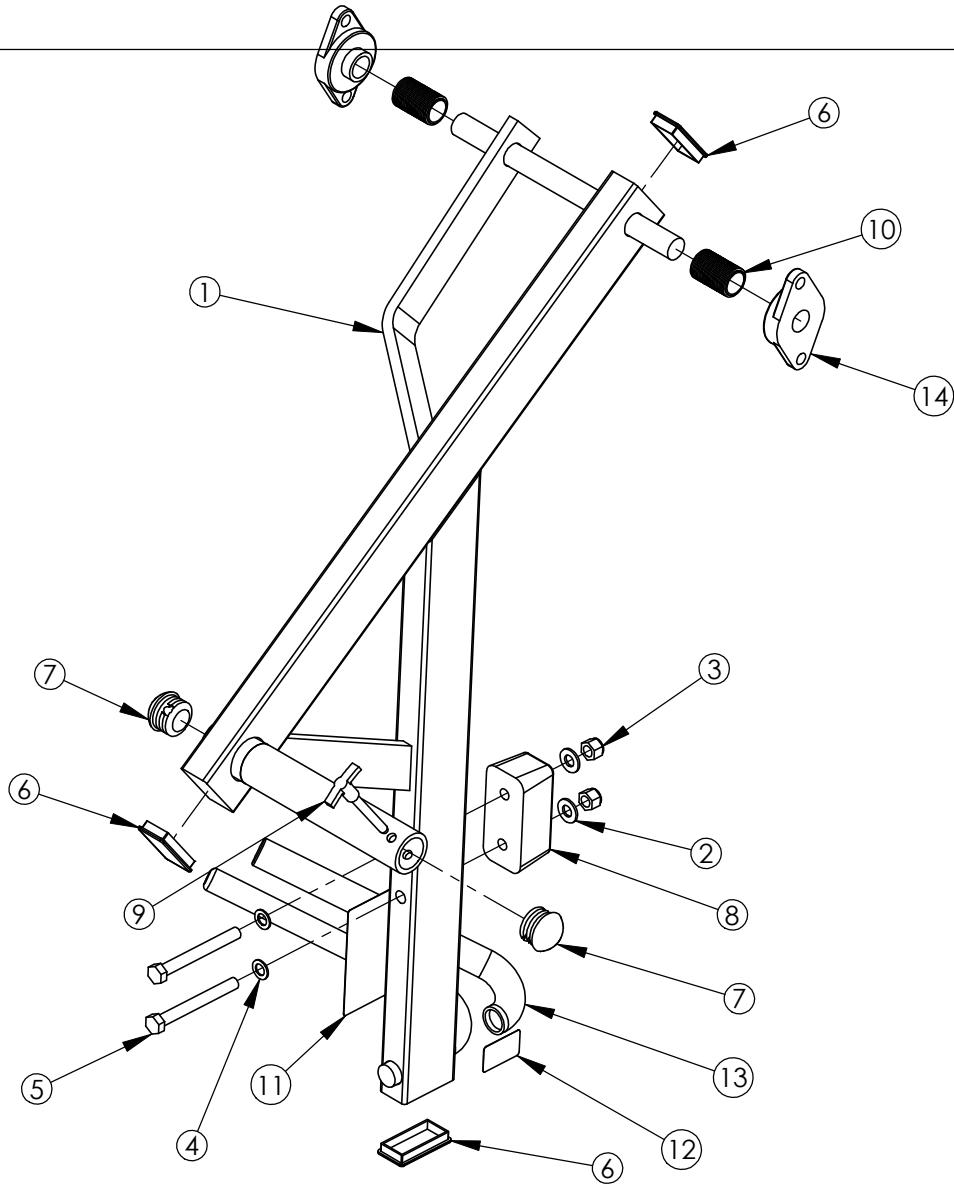
HAMMER STRENGTH EQUIPMENT
ILBP-H Front Crossmember Assembly



ITEM NO.	QTY.	PART NO.	DESCRIPTION
1	1	ILBP-FX-0	FRONT CROSSMEMBER
2	2	H-NONSKID	1 3/4 X 9 Nonskid

WEIGHT = 26 LB
 LENGTH = 13 1/4"
 WIDTH = 45"
 HEIGHT = 2"

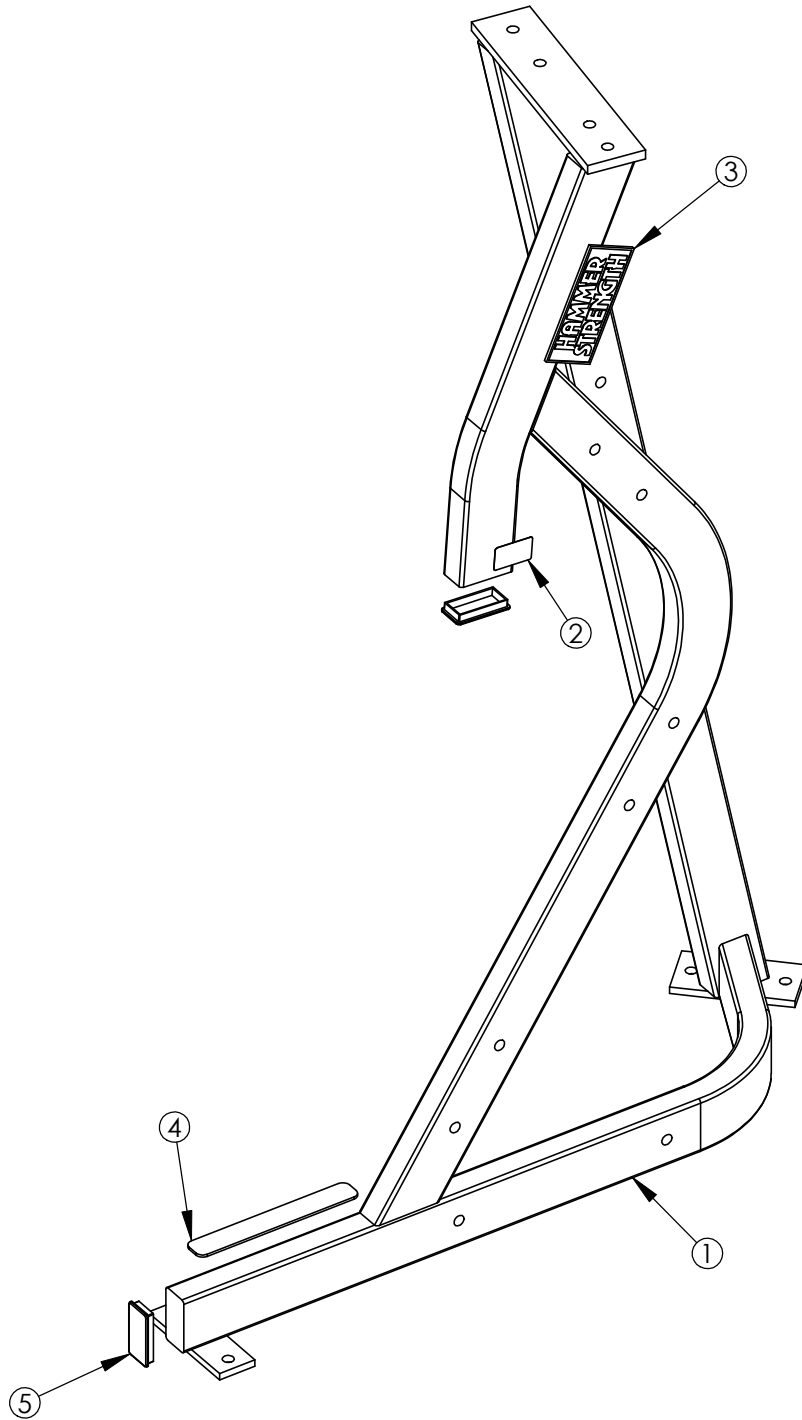
HAMMER STRENGTH EQUIPMENT
ILBP-H Movement Arm Assembly



ITEM NO.	QTY.	PART NO.	DESCRIPTION
1	1	ILBP-MAL-1	MOVEMENT ARM LEFT
2	2	WASH.5SAE	1/2" SAE Flat Washer
3	2	NUT.5LOCK	1/2" Thick Lock Nut
4	2	WASH.5STAR	1/2" Internal Lock Washer
5	2	HHB.5X4.5	1/2 X 4 1/2 Bolt
6	3	RC1530-1Q1	1 1/2 X 3 End Cap
7	2	RUBCAP1	RUBBER CAP #1
8	1	H-BUMP-MED	MM2 Medium
9	1	SELECTOR PIN-3	SELECTOR PIN 3 INCH
10	2	ACCORDIAN	Shaft Guard
11	1	WARNING LARGE-V	Large Warning Vert.
12	1	STAY CLEAR	Stay Clear Decal
13	1	H-GRIP	HandGrip
14	2	H-BEAR-SML	Small Bearing

WEIGHT = 37 LB
 LENGTH = 27 1/4"
 WIDTH = 22"
 HEIGHT = 40 1/4"

HAMMER STRENGTH EQUIPMENT
ILBP-H Side Frame Assembly

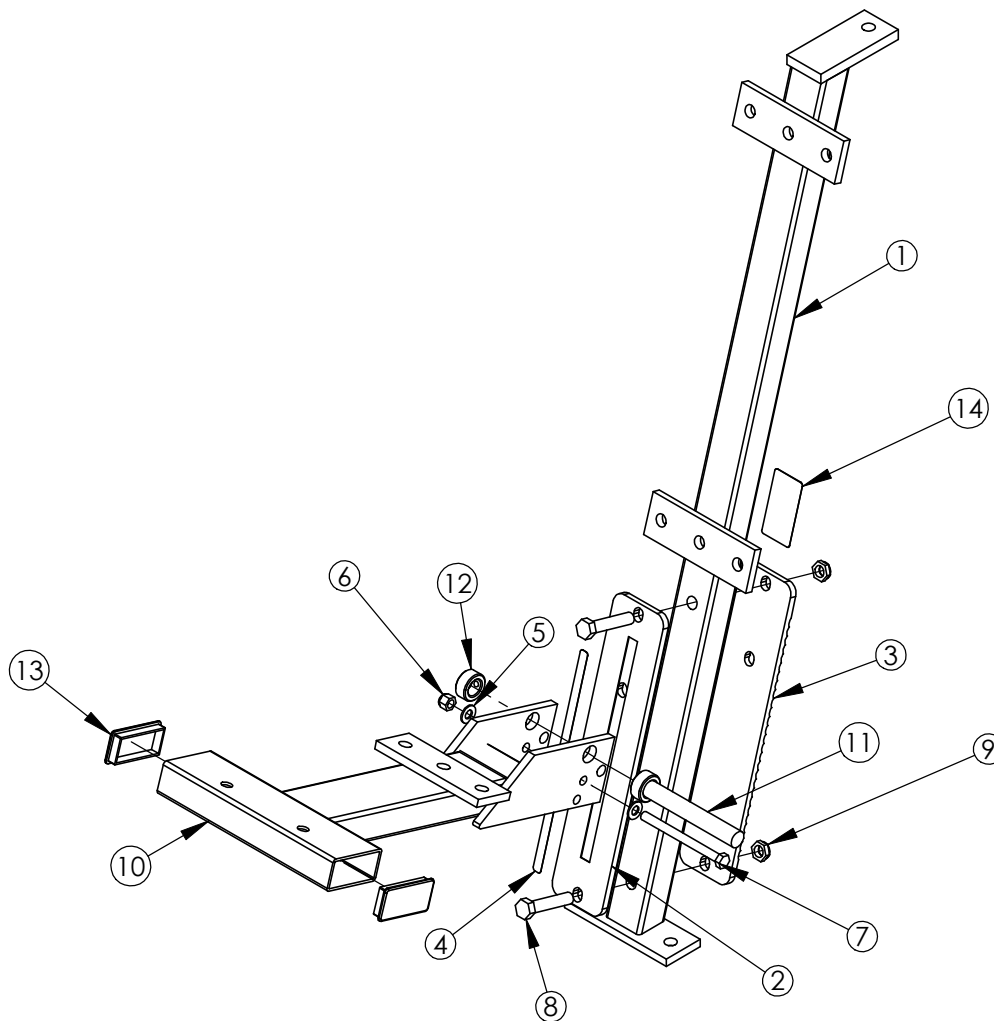


ITEM NO.	QTY.	PART NO.	DESCRIPTION
1	1	ILBP-SFL-0	LEFT SIDE FRAME
2	1	STAY CLEAR	Stay Clear Decal
3	1	H-NAME PLATE	HAMMER STRENGTH BADGE
4	1	NONSKID 1 X 9	1 1/4 X 9 Nonskid
5	2	RC1530-1Q1	1 1/2 X 3 End Cap

WEIGHT = 57 LB
 LENGTH = 42 1/2"
 WIDTH = 10 1/4"
 HEIGHT = 60"

HAMMER STRENGTH EQUIPMENT

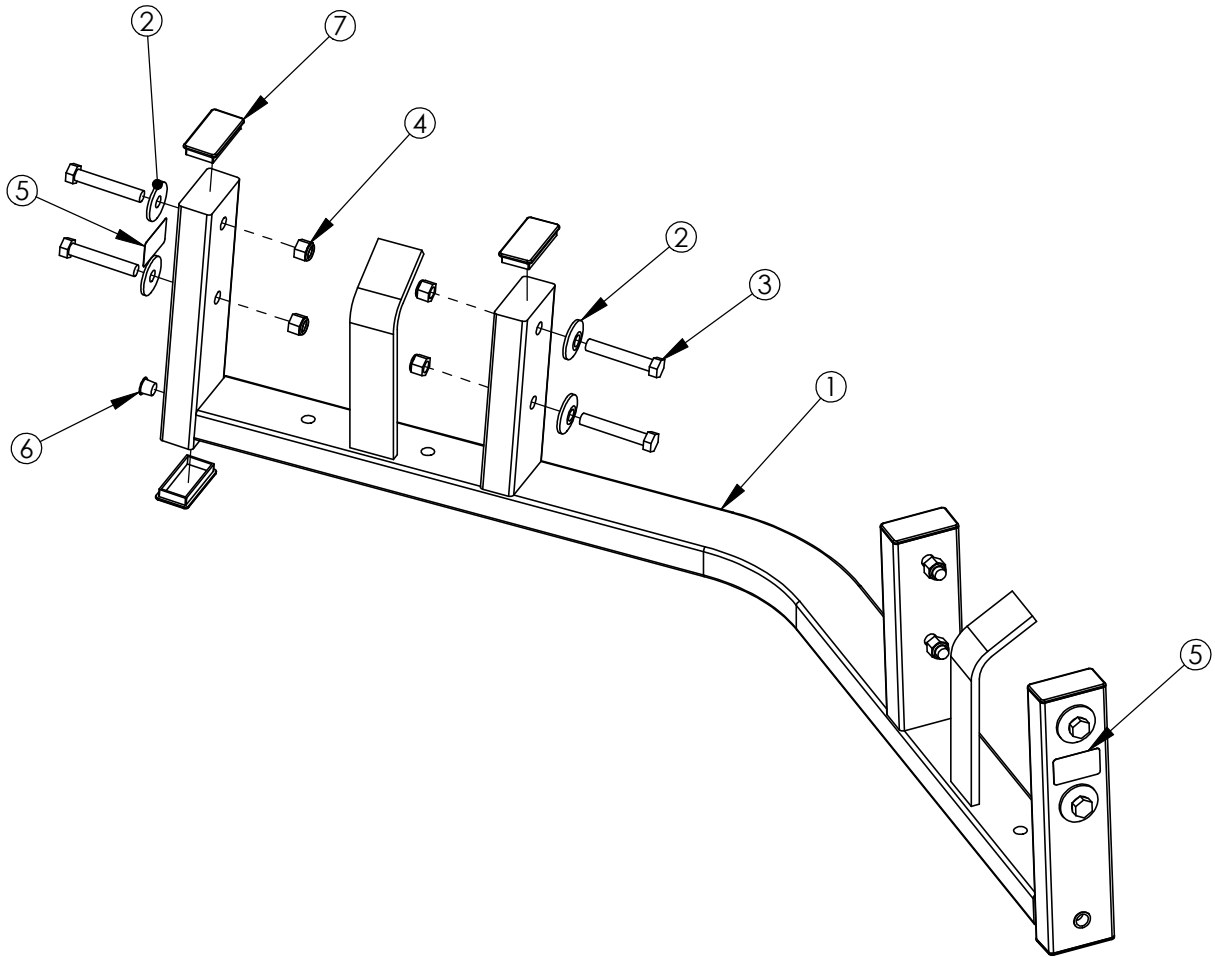
ILBP-H Seat Frame Assembly



ITEM NO.	QTY.	PART NO.	DESCRIPTION
1	1	ILBP-ST-0	SEAT FRAME
2	1	H-SEATRCKS-N	Seatrack Front
3	1	H-SEATRCKS-RIB	Seatrack Back
4	1	SEAT NUMBER	Seat Adj. Number
5	2	WASH.375SAE	3/8" SAE Flat Washer
6	1	NUT.375LOCK	3/8" Thick Lock Nut
7	1	HHB.375X4.5	3/8 X 4.5 Bolt
8	2	HHB.5X2.5	1/2 X 2 1/2 Bolt
9	2	NUT.5JAMFINE	1/2" Jam Nut Fine
10	1	STD-ST2	Standard Seat #2
11	1	Stshft	Seat Shaft
12	2	H-LCOLLAR75	3/4" LOCK COLLAR
13	2	RC1530-1Q1	1 1/2 X 3 End Cap
14	1	SERIAL NUMBER	Serial Number

WEIGHT = 25 LB
 LENGTH = 21"
 WIDTH = 10 1/4"
 HEIGHT = 42"

HAMMER STRENGTH EQUIPMENT
ILBP-H Workbox



ITEM NO.	QTY.	PART NO.	DESCRIPTION
1	1	ILBP-TX-0	TOP CROSSMEMBER
2	8	H-BACK-WASH	Backing Washer
3	8	HHB.5X3	1/2 X 3 Bolt
4	8	NUT.5LOCK	1/2" Thick Lock Nut
5	2	STAY CLEAR	Stay Clear Decal
6	2	H-HPLUG REG	Hole Plug
7	6	RC1530-1Q1	1 1/2 X 3 End Cap

WEIGHT = 37 LB
 LENGTH = 55"
 WIDTH = 12"
 HEIGHT = 12 1/2"